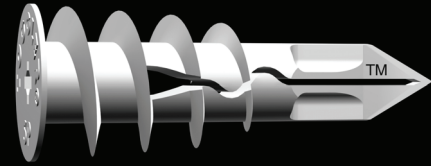


TOGGLER® ANCHOR SYSTEM

Technical Bulletin



SnapSkru® SELF-DRILLING DRYWALL ANCHORS

The strongest, easiest-to-use self-drilling drywall anchor —

The **TOGGLER® SnapSkru** self-drilling drywall anchor needs no drill and installs as quickly and easily as an ordinary self-drilling drywall “auger” anchor, but its unique “Snap Lock” feature provides the positive behind-the-wall locking and holding power of a toggle bolt.

During installation the SnapSkru anchor keeps the wall material in compression, reinforcing and locking the anchor in the wall, allowing it to hold more than other auger anchors.

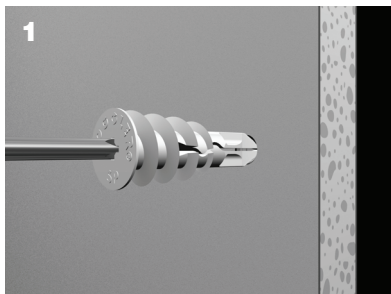
Anchor:	MINI	Regular	MINI	Regular
<i>Tested in:</i>	ULTIMATE TENSILE [lb]		ULTIMATE SHEAR [lb]	
3/8" Drywall	57	57	105	108
1/2" Drywall	65	79	131	149
5/8" Drywall	95	135	175	178
<i>Screw tested:</i>	#6 x 1¼"	#8 x 1½"	#6 x 1¼"	#8 x 1½"

- Industry safety standards recommend using only 1/4 of ultimate tensile and shear values as the maximum load per anchor.
- Ultimate tensile and shear values for a SnapSkru anchor vary directly with the strength and thickness of the wall material, the screw size, and the extent of the screw engagement.
- The above table of ultimate tensile and shear values is to be used as a guide only. Due to variability and condition of wall materials and construction methods, TOGGLER Anchor System cannot

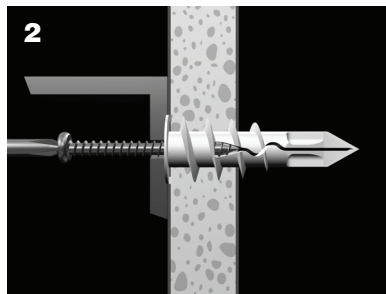
Installation Instructions

Tools Needed:

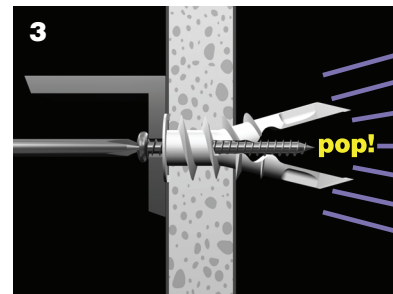
Screw gun with #2 Phillips bit [or #2 Phillips screwdriver, or electric drill with clutch mechanism & #2 bit]



Press tip of SnapSkru anchor into drywall using #2 Phillips screwdriver or screw gun. Drive anchor clockwise into drywall until anchor stops flush with the outer wall surface.
TIP: To keep anchor in precise position during installation (critical for aligning several anchors), push tip of screwdriver into drywall to mark insertion point.



Place item over anchor and insert any fully-threaded screw.
 For *MINI* anchor
 #6 through #8 (#6 preferred).
 [Ø3.5 - 4.5mm, 4mm preferred]
 For *Regular* anchor:
 #6 through #10 (#8 preferred).
 [Ø3.5 - 4.5mm, 4mm preferred]

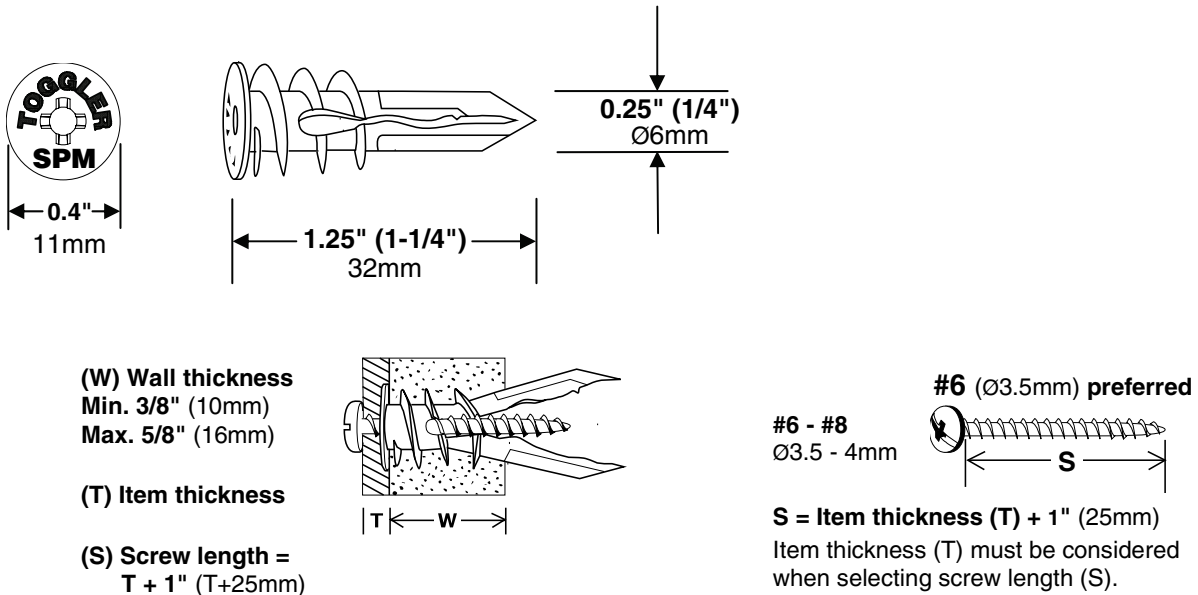


Tighten screw flush with item.

The screw pops open the anchor, locking it on the wall and holding the gypsum board in compression. This reinforces the wall, increasing its holding power significantly.

SnapSкру SELF-DRILLING DRYWALL ANCHORS

Specifications — MINI Anchor [SPM]



Description — SnapSкру MINI [SPM] Self-drilling Drywall Anchor

Material — Injection-Molded, Glass-Filled Nylon (Proprietary Thermo-Plastic Alloy)

Screw Specification — Sheet Metal Screw (SMS), fully threaded in anchor

Screw Size Range, Diameter — #6 (preferred), #7, #8;
Ø3.5mm (preferred), Ø4mm

Screw Size, Minimum Length — 1" (25mm) + thickness of item being anchored

Minimum Drywall Thickness — 3/8" (10mm)

Maximum Drywall Thickness — 5/8" (16mm) **TIP:** The anchor can be used in double thickness drywall (1-1/4") — drill a 3/16" pilot hole first.

Minimum Clearance Behind — 5/8" (16mm) clearance behind 1/2" (13mm) drywall

Wall For Anchor 1/2" (13mm) clearance behind 5/8" (16mm) drywall

[Additional clearance may be needed for extra-long screws.]

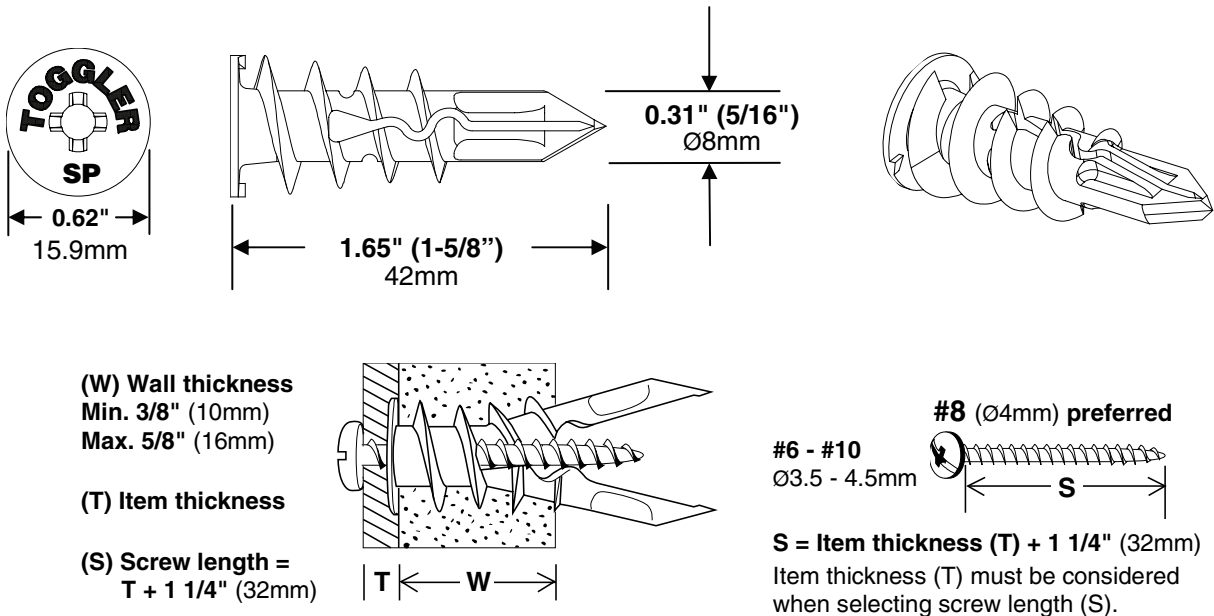
Benefits of the SnapSкру MINI Anchor [SPM]

- The SnapSкру MINI self-drilling drywall anchor makes only a **small 1/4" hole**.
- Its small head (0.4" dia.) **hides behind fixtures** and **always sits flush** with the wall.
- The SnapSкру MINI self-drilling drywall anchor accepts **#6 through #8 screws**.
*Other self-drilling drywall anchors this size accept **ONLY** a #6 screw!*
- In 5/8" drywall the SnapSкру MINI self-drilling drywall anchor **holds over 95 lbs.***
*This is **25% more** than the regular-size versions of other self-drilling drywall anchors!*

*NOTE: Holding value is per anchor with a #6 x 1 1/4" screw. Industry standard safe holding = 1/4 of ultimate load.

SnapSkrus SELF-DRILLING DRYWALL ANCHORS

Specifications — Regular Anchor [SP]



Description — SnapSkrus Regular [SP] Self-drilling Drywall Anchor

Material — Injection-Molded, Glass-Filled Nylon (Proprietary Thermo-Plastic Alloy)

Screw Specification — Sheet Metal Screw (SMS), fully threaded in anchor

Screw Size Range, Diameter — #6, #7, #8 (preferred), #10;
Ø3.5mm, Ø 4.0mm (preferred), Ø4.5mm,

Screw Size, Minimum Length — 1 1/4" (32mm) + thickness of item being anchored

Minimum Drywall Thickness — 3/8" (10mm)

Maximum Drywall Thickness — 5/8" (16mm) **TIP:** The anchor can be used in double thickness drywall (1-1/4") — drill a 1/4" pilot hole first.

Minimum Clearance Behind — 1-1/8" (29mm) clearance behind 1/2" (13mm) drywall

Wall For Anchor 1" (25mm) clearance behind 5/8" (16mm) drywall

[Additional clearance may be needed for extra-long screws.]

Applications

Typical products installed into 3/8", 1/2" and 5/8" gypsum-based drywall materials using the SnapSkrus anchors include:

- Thermostats
- Shelving and Ledges
- Picture Frames and Art Objects
- Curtain Rods
- Cabinets
- Wall Lighting Fixtures and Sconces
- HVAC Grills
- Towel Bars and Bathroom Accessories
- Mirrors
- First Aid Kits
- Fire Extinguishers
- Smoke Detectors
- Speakers and AV Systems
- Motion Detectors and Alarms
- Telecommunication Equipment
- Bulletin and Chalk Boards
- Closet Organizers
- Coat Racks
- Clocks
- Signs

SnapSkru SELF-DRILLING DRYWALL ANCHORS

Benefits

- In 5/8" drywall the SnapSkru SP self-drilling drywall anchor **holds over 135 lbs.* ultimate.**
*This is **80% more** than the highest load reported by other self-drilling drywall anchors.*
- In 1/2" drywall the SnapSkru SP self-drilling drywall anchor **holds over 80 lbs.* ultimate.**
*This is **60% more** than the highest load reported by other self-drilling drywall anchors.*
- The SnapSkru SP self-drilling drywall anchor accepts **#6, #8 and #10 screws.**
The SnapSkru *MINI* self-drilling drywall anchor accepts **#6 and #8 screws.**
*Other self-drilling drywall anchors do **NOT** accept this large a range of screw sizes.*
- SnapSkru self-drilling drywall anchors have a **built-in "positive-stop"** that prevents overdriving the anchor when using a screw gun or hand drill.
*It is easy to drive other self-drilling anchors through the drywall; they have **NO** stop.*
- SnapSkru self-drilling drywall anchors **activate with an audible sound**, providing positive feedback that they are installed correctly. You can actually hear the anchor "**pop**" open and lock on the backside of the wall.
*Other self-drilling drywall anchors give **NO** indication they have been properly installed.*
- SnapSkru self-drilling drywall anchors **resist vibration and shock.**
Other self-drilling anchors cut the drywall and pull loose when vibrated or shocked.
*Other self-drilling drywall anchors do **NOT** lock in the wall.*
- SnapSkru self-drilling drywall anchors **do not back out of the wall** when the screw is removed. You can remove the screw, leaving the anchor safely in the wall, and then later reinstall your fixture in the same anchor with the same screw. Yet, the anchor itself can be safely backed out of the wall, when one chooses, without destroying the wall.
*Other self-drilling anchors **pull out** of the wall with the screw, destroying the wall.*
- It takes a much greater amount of work or energy to remove a SnapSkru anchor from the wall during tensile load testing. This means a **much safer installation.**
*For example, it takes 20 times **MORE work** or energy to remove the SP anchor totally from the wall during tensile loading than it takes to remove the competition's anchor.*
- SnapSkru anchors are designed and **manufactured in the U.S.A.** Each anchor proudly bears the TOGGLER name and carries a 100% money back satisfaction guarantee.
*Most other self-drilling drywall anchors have **NO** name. Who stands behind them?*

***NOTE:** Holding values above are per anchor with a #8 x 1½" screw. Industry standard safe holding = 1/4 of ultimate load.



TOGGLER Anchor System
Div. of Mechanical Plastics Corp.
110 Nichols Avenue
Norwalk, CT 06854
USA

888.864.4537 [Toll-Free]
203.857.2200 [Tel]
203.857.2201 [Fax]
info@toggler.com
www.toggler.com



TOGGLER and typeface, logo symbol, and SnapSkru are worldwide registered trademarks of Mechanical Plastics Corp. SP and SPM are worldwide trademarks of Mechanical Plastics Corp. U.S. Patents No. 7,144,212 & 7,320,569 and foreign counterparts. © 2008, 2010, 2012 MPC SKRTECH0412