

# DATA SHEET



## MV305-4E 1Ø – CFM 305mm Axial Kitchen Exhaust Roof Fan

MV models are high capacity roof mounted aerofoil adjustable pitch fans they are kitchen exhaust fans. The all metal fan casing provides a long lasting and robust construction. Suitable for high temperature kitchen exhaust systems.



### SPECIFICATIONS

o MV305 Kitchen Exhaust Roof Fan 4 Pole	
o Motor: 230-240VAC 50Hz 1 Phase 1.43 Amp Full Load Current 1400 RPM	
o Aerofoil adjustable pitch impellers	
o Performance tests are in accordance with BS848 Part 1 (1980) and AS2936 - 1987	
o Total Motor Wattage: 180 Watts	
o Sound level at 3m [dB(A)] Free Field: 51	
o Fully weather proof galvanized steel ventilated housing with grease trap connection	
o Free Air Fan Performance: 920 l/sec	
o Impellor Diameter: 300mm diameter	
o Suitable for high temperature kitchen exhaust systems	
o Mountings: 306mm spigot off bottom of fan unit	

Features	Benefits
o Motors have excellent speed control characteristics	o Can be regulated down to 20-30% of full speed.
o Sealed for life ball bearing motors	o Suitable for high temperature kitchen exhaust systems
o The units are fully assembled	o This allows quick and easy installation on site
o Fully weather proof galvanized steel housing	o Fans will last a life time
o Accessories Available	o Tubes, Roof Flashings, Tube Silencers all available
o 1 Year Warranty	

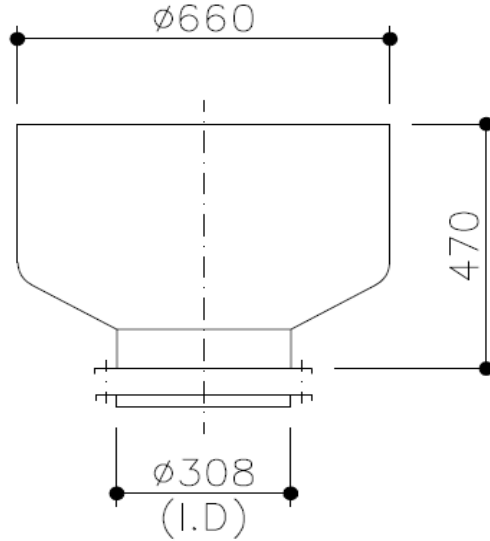




# DATA SHEET

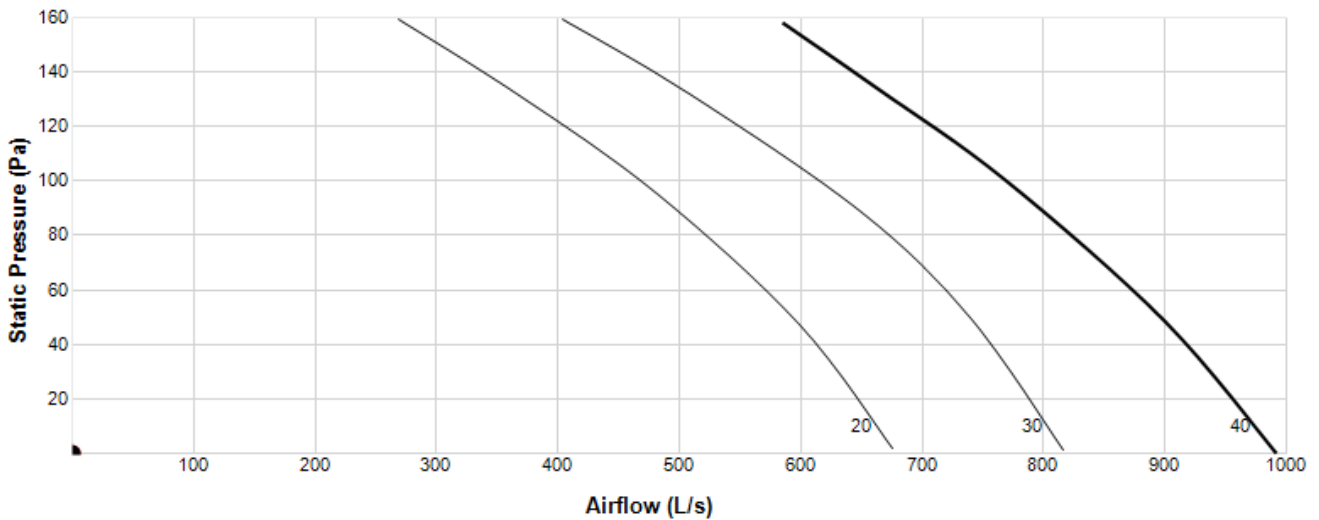
CFM **FANS**

## DIMENSIONS & ELECTRICAL DATA



MV305-4E  
KITCHEN EXHAUST ROOF FAN

Product Code	$\phi$	Weight (kg)
MV305-4E VAR	306 $\phi$	30



Product Code	Speed	Motor Rating (kw)	220-240V / 50Hz / 1Ø		Sound Pressure Levels	Inlet Sound Power Level in dB re 10 pW							
			Full Load Current (at 230V) (A)	Speed Controller		63	125	250	500	1K	2K	4K	8K
MV305-4E	1400	0.18	1.43	MSC1200	51	40	51	66	65	66	61	56	72

Sound pressure levels quoted are average dBA at 3m distance over a sphere, under free field conditions and are presented for comparative purposes only.

