

DATA SHEET **WEISS**

FV05CP – 150mm Inline Fan

Powerful, yet quiet, thermally protected inline fan with twin blades. Offering supply or exhaust in a system up to 6m of duct. Economical to run at 40 watts 45db at 1.5 metres.



SPECIFICATIONS

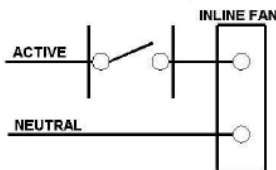
o FV05CP – Inline Axial 150Ø Fan	
o Motor: 230-240VAC 50Hz 0.4 Amp (twin blade inline fan unit)	
o Motor Insulation Class: B1	
o Total Motor Wattage: 40 Watts	
o Motor Protection: Thermally Protected	
o Total Product Wattage: 40 Watts	
o Free Air Fan Performance: 242m ³ /hr / 67.2l/sec	
o Installed Decibel Rating at 1.5 mtrs: 45 db	
o Diameter: 150mm diameter	
o Electrical Approval No: V05121	

Features	Benefits
o Test Standards	o AS/NZS 3350.2.80:1998 Amdts 1-3 "Electric fans".
o Easy to install	o Saves time and money
o Powerful, yet quiet fan motor due to ceiling cavity installation	o Quite Operation
o Works well with up to 6m of flexible duct	o Allows moisture to be removed to the outside of your home
o Unique 'no fuss' all in one unit	o All parts are included
o 3 Year Extended Warranty	

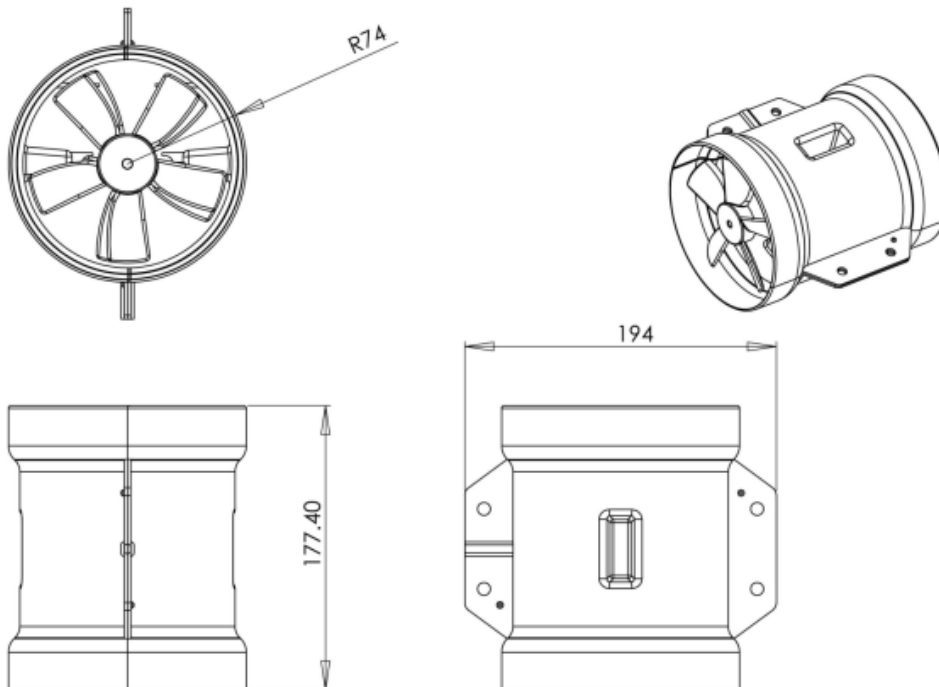


DATA SHEET **WEISS**

DIMENSIONS



Connect the wiring to the inline fan as illustrated in the wiring diagram above. (Weiss NZ Limited recommends that the electrical installation be completed by a qualified electrician).



IMPORTANT NOTE:

The inline fan is 230 volts and can only be connected to the mains supply.
In the ceiling cavity suspend the inline motor from the rafters using wire, or sit the motor unit on the insulation
Ensure that the arrows on the motor housing are pointing in the direction of the outlet vent.