

# DATA SHEET



## MVR250-4E 1Ø – CFM 260mm Centrifugal Kitchen Exhaust Roof Fan

MVR models are high-capacity roof mounted centrifugal exhaust fans they are kitchen exhaust fans. The all-metal fan casing provides a long lasting and robust construction. Suitable for high temperature kitchen exhaust systems.



### SPECIFICATIONS

<ul style="list-style-type: none"> <li>○ MVR250 Kitchen Exhaust Roof Fan 4 Pole</li> <li>○ Motor: 230-240VAC 50Hz 1 Phase 0.83 Amp Full Load Current 23 r/s</li> <li>○ Centrifugal Motor suitable for high pressures</li> <li>○ Performance tests are in accordance with BS848 Part 1 (1980) and AS2936 - 1987</li> <li>○ Total Motor Wattage: 120 Watts</li> <li>○ Sound level at 3m [dB(A)] Free Field: 49</li> <li>○ Fully weatherproof galvanized steel ventilated housing with grease trap connection</li> </ul>		
<ul style="list-style-type: none"> <li>○ Free Air Fan Performance: 550 l/sec</li> <li>○ Impellor Diameter: 250mm diameter</li> </ul>		
<ul style="list-style-type: none"> <li>○ Suitable for high temperature kitchen exhaust systems</li> </ul>		
<ul style="list-style-type: none"> <li>○ Mountings: 260mm spigot off bottom of fan unit</li> </ul>		

Features	Benefits
<ul style="list-style-type: none"> <li>○ Motors have excellent speed control characteristics</li> <li>○ Sealed for life ball bearing motors</li> <li>○ The units are fully assembled</li> <li>○ Tops can be powder coated or painted if required</li> <li>○ Accessories Available</li> </ul>	<ul style="list-style-type: none"> <li>○ Can be regulated down to 20-30% of full speed.</li> <li>○ Suitable for high temperature kitchen exhaust systems</li> <li>○ This allows quick and easy installation on site</li> <li>○ Fans can be matched to fit your colour scheme</li> <li>○ Tubes, Roof Flashings, Tube Silencers all available</li> </ul>
<ul style="list-style-type: none"> <li>○ 1 Year Warranty</li> </ul>	

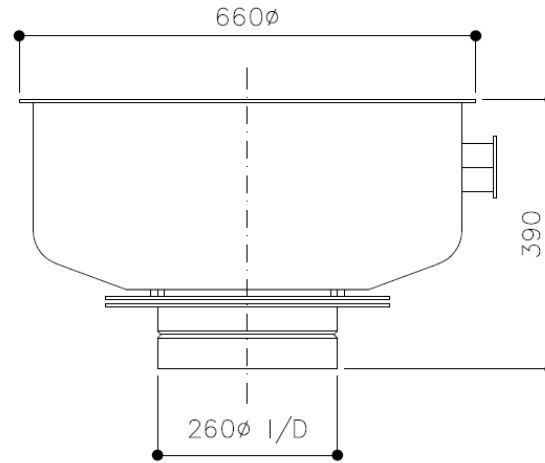




# DATA SHEET

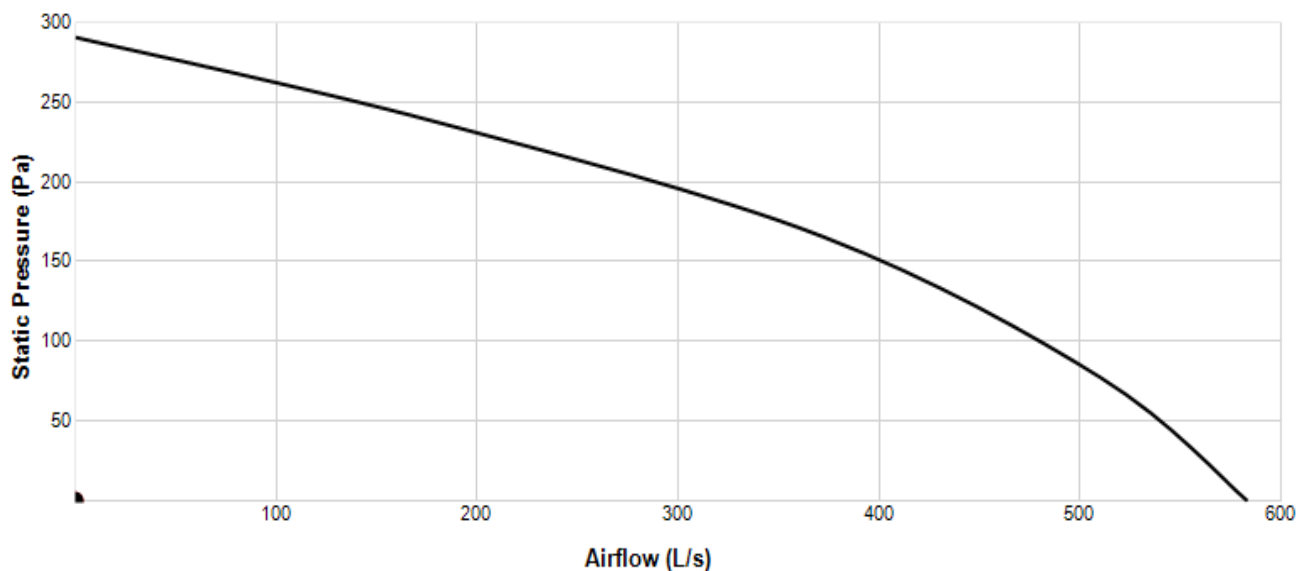
**CFM FANS**

## DIMENSIONS & ELECTRICAL DATA



MVR250-4E  
KITCHEN EXHAUST ROOF FAN

Product Code	Ø	Weight (kg)
MVR250	260Ø	30



Product Code	Speed r/s	Motor Rating (kw)	220-240V / 50Hz / 1Ø		Sound Pressure Levels	Inlet Sound Power Level in dB re 10 pW							
			Full Load Current (at 230V) (A)	Speed Controller		63	125	250	500	1K	2K	4K	8K
MVR250	23	0.12	0.83	VA500	49	27	51	55	65	67	54	58	51

Sound pressure levels quoted are average dBA at 3m distance over a sphere, under free field conditions and are presented for comparative purposes only.