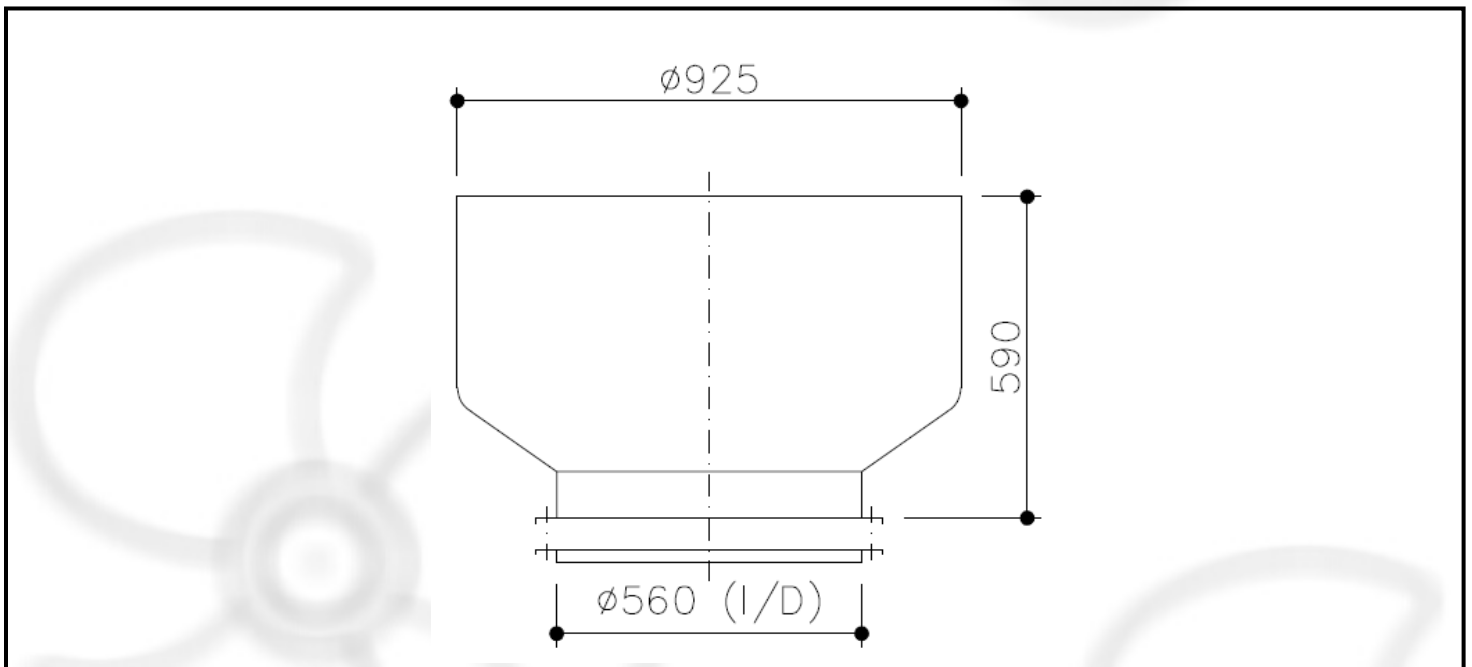
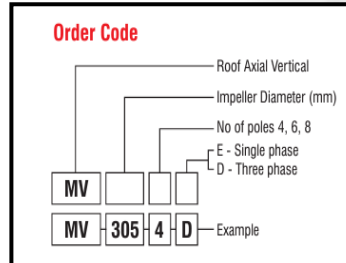


Technical Data Sheet

MV559-4D 40° 3Ø Fan

MV559-4D 40° 3Ø Kitchen Exhaust Roof Fan



MV models are high-capacity roof mounted axial exhaust fans they are kitchen exhaust fans. The all-metal fan casing provides a long lasting and robust construction. Suitable for high temperature kitchen exhaust systems.

Motor: 415V 50Hz 3 Phase 4.6 Amp Full Load Current 1440 RPM Total Motor Wattage 2.2kW
Aerofoil adjustable pitch impeller
Performance tests are in accordance with BS848 Part 1 (1980) and AS2936 – 1987
Impellor Diameter: 559mm diameter

Fan Details

Impellers: Aerofoil adjustable pitch impellers

Motors: Sealed for life ball bearing motors.

Power Rating: 415V 50Hz 3 Phase 4.6 Amp Full Load Current 1440 RPM

Speed Control: 3 Phase VSD

Casing: Fully weatherproof galvanized steel ventilated housing with grease trap connection. Circular connection with matching flange

Impeller

Size: 559 mm

Type: Axial Aerofoil

Adjustable Pitch Impellers

Motor

Power: 2.2 Kw

Power Supply: 4150V/3PH/50Hz

Speed: 1440 RPM

4 Pole

FLC: 4.60 A

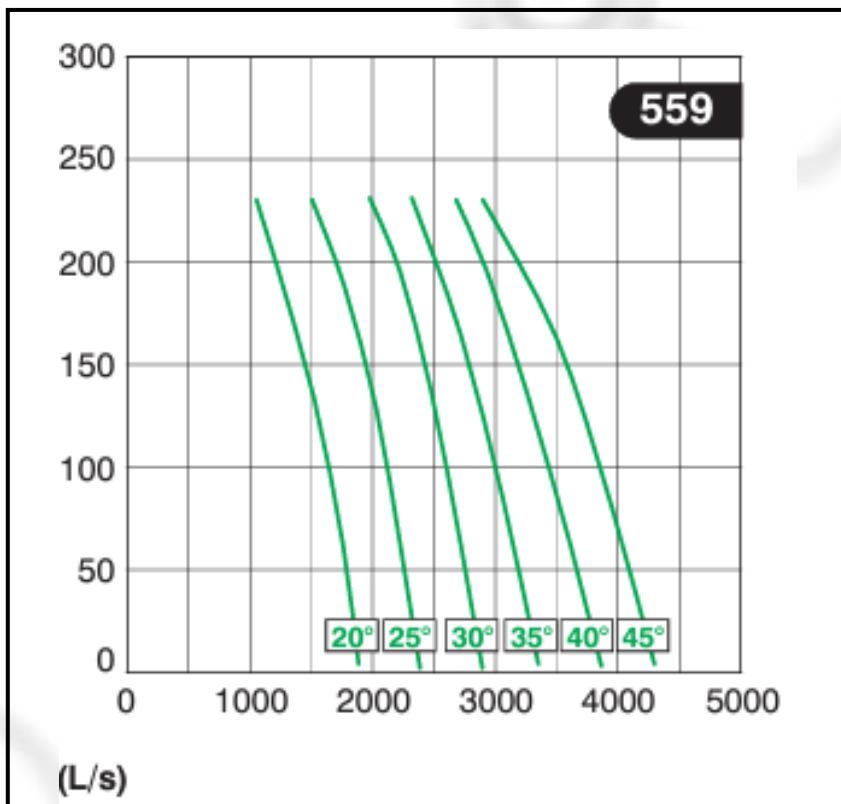
Controller: VSD Controller

Fan

Case: Galvanised metal

Weight: 60Kg

Temp: 50 oC



| Speed (rpm) | Peak Pressure (Pa) | Peak Power (kw) | Motor Running Voltage | Sound Power Level SWL dB re 1 pw | | | | | | | | Sound Pressure Level dB @ 3m |
|-------------|--------------------|-----------------|-----------------------|----------------------------------|-----|-----|-----|----|----|----|----|------------------------------|
| | | | | 63 | 125 | 250 | 500 | 1k | 2k | 4k | 8k | |
| 1440 | 60 | 2.2 | 415 | 54 | 71 | 74 | 79 | 80 | 78 | 75 | 70 | 64 |

Note: Amperages shown are a guide only.

Sound pressure levels quoted are average dBA at 3m distance over a sphere, under free field conditions and are presented for comparative purposes only.

1 Year Warranty